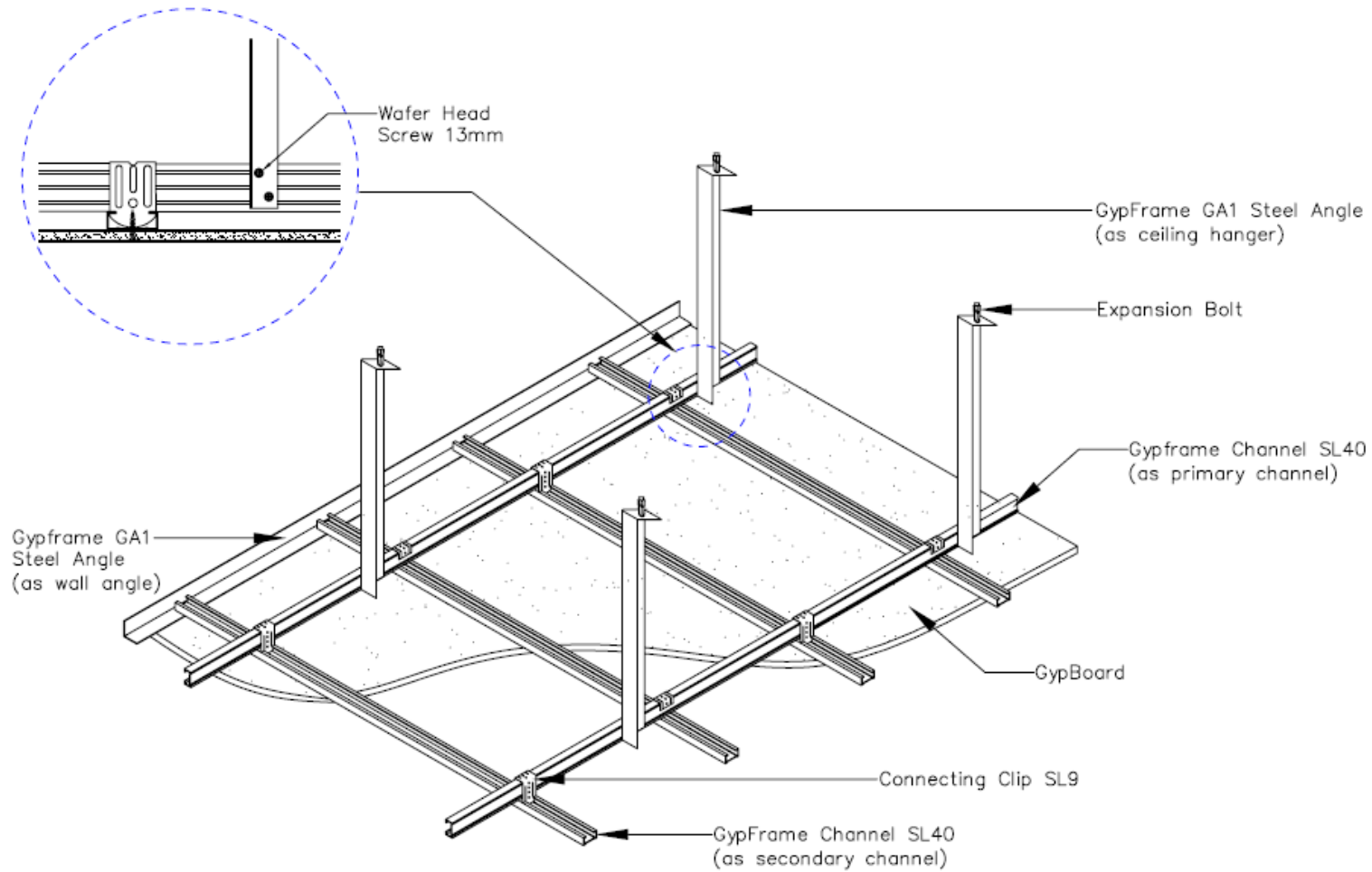


# CasoLine® Concealed – SL40 / SL TL 9.0



# CasoLine® Concealed – EL40 / SL TL 9.0

